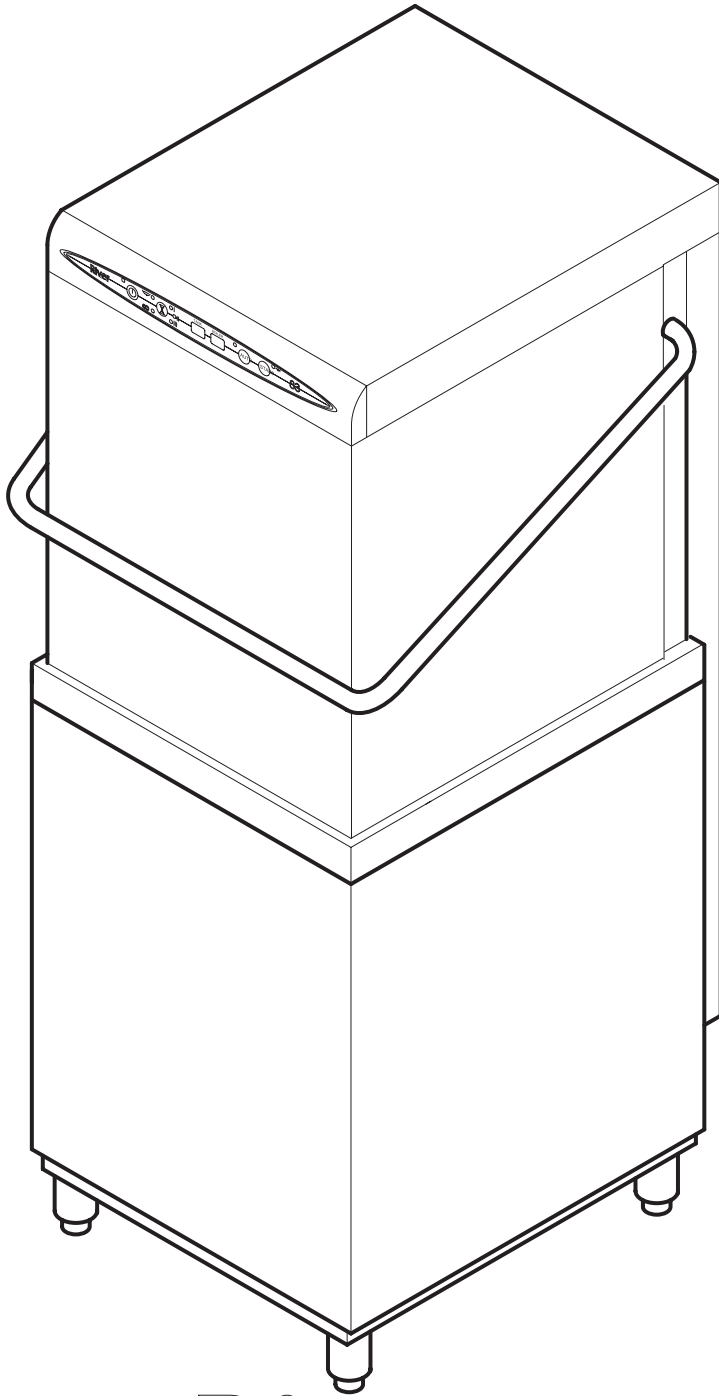
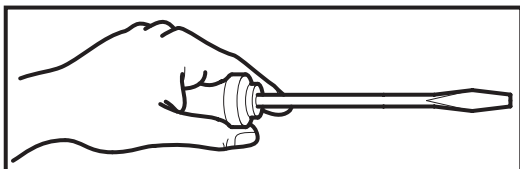


C **R** **P**
O **N** **E**
S **T** **R**
A **N** **F**
T **E** **O**
R **M**
A **N**
C **E**



River
81/82

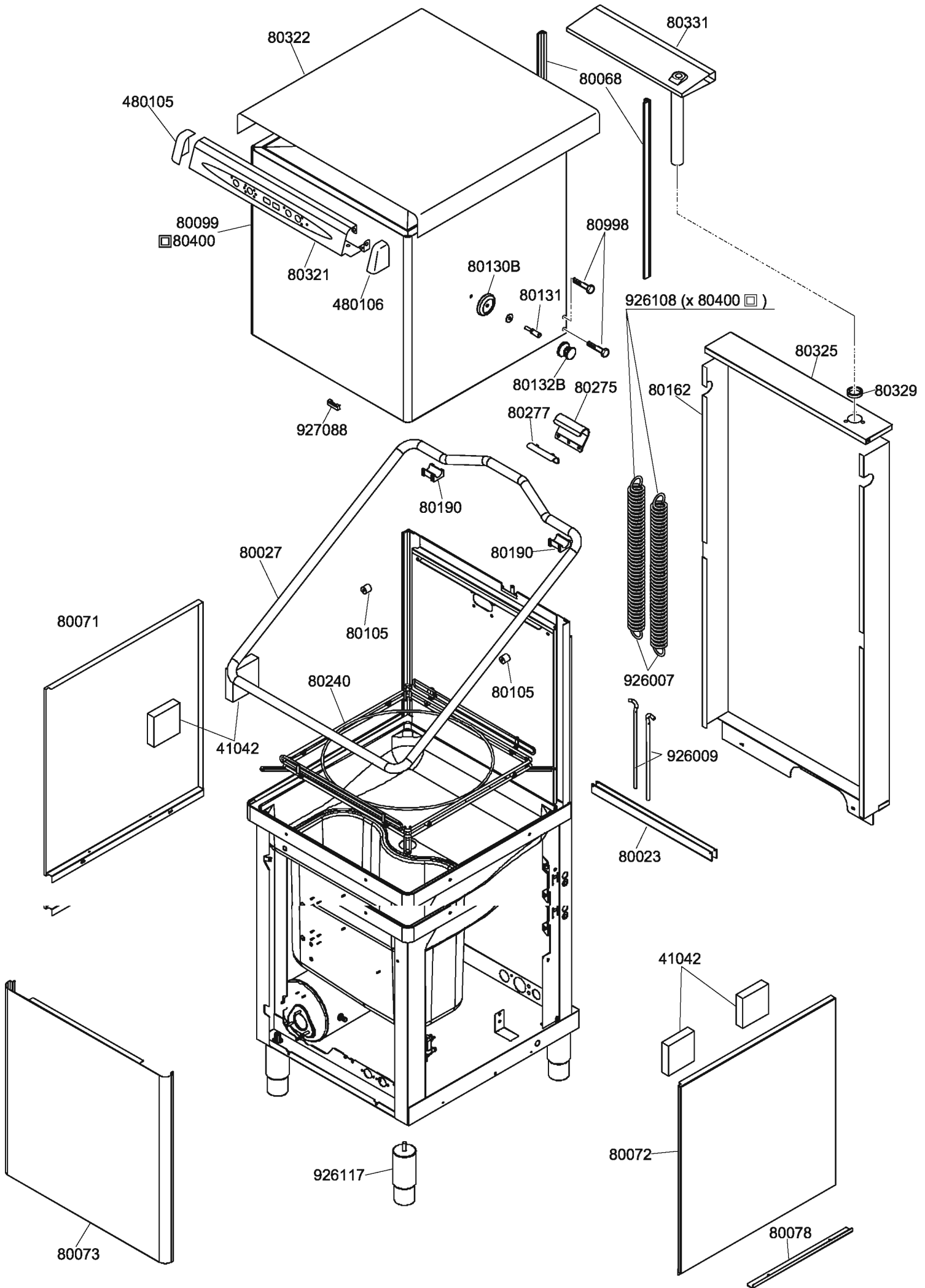


2003

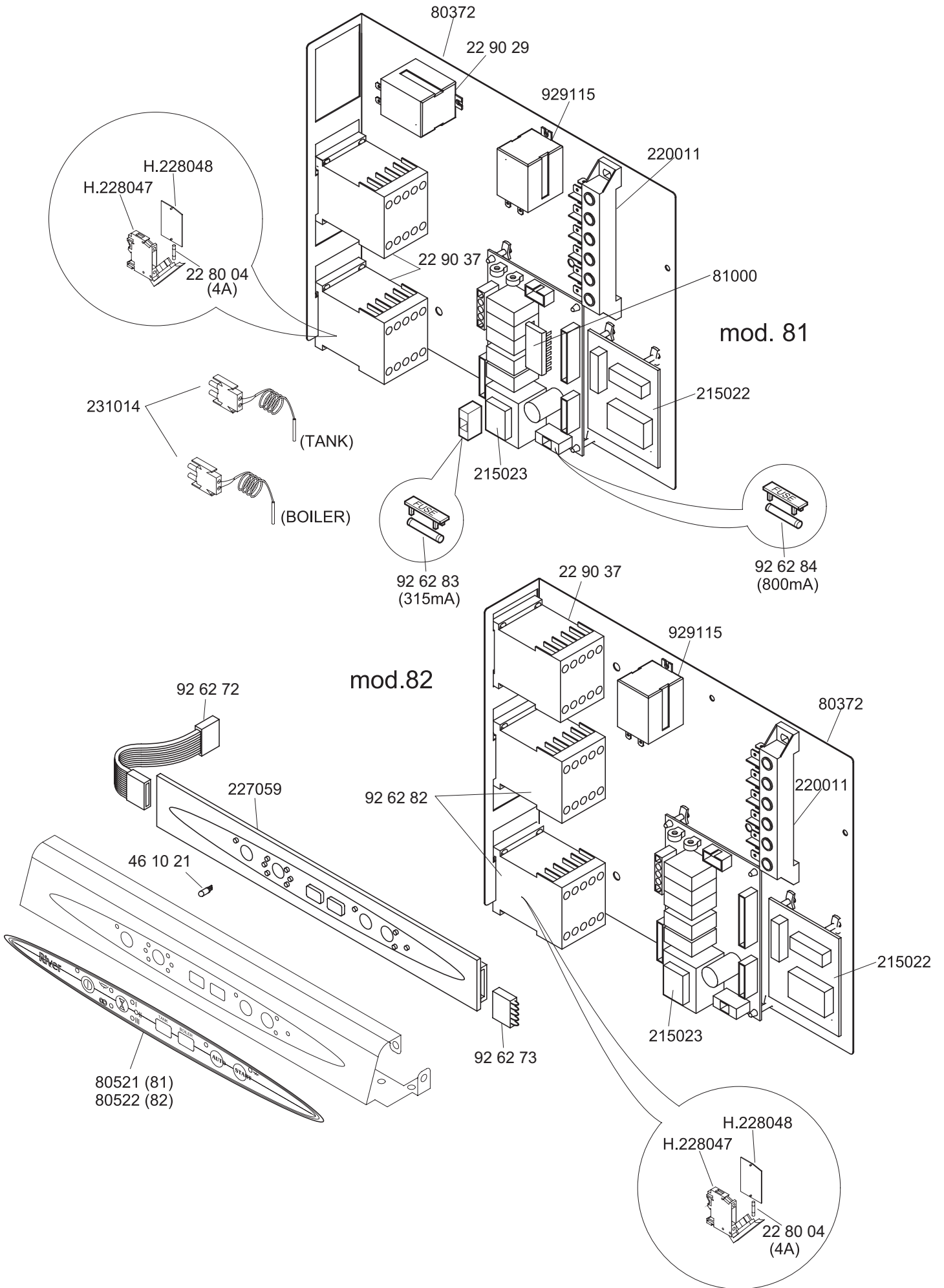
RIVER 81/82

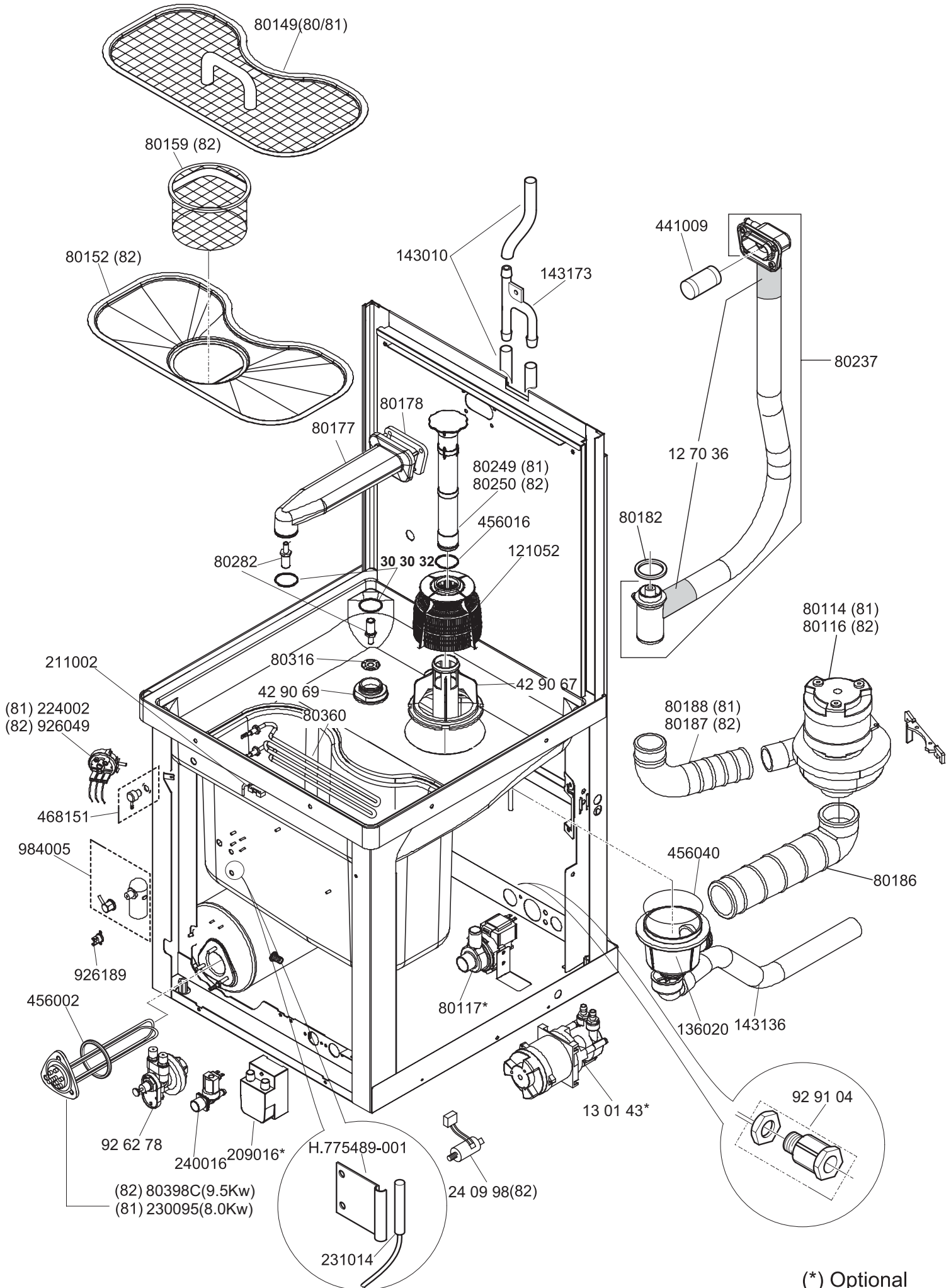
- Tav. 1 – Machine Body
- Tav. 2 – Electrical components
- Tav. 3 – Components in the tank
- Tav. 3A – Components in the tank
- Tav. 4 – Wash arms – Rinsing
- Tav. 5 – Wash pump
- Tav. 6 – Wash pump
- Tav. 7 – Rinse pump

- Tab. 1 – Carrosserie
- Tab. 2 – Installation électrique
- Tab. 3 – Composants de cuve
- Tab. 3A – Composants de cuve
- Tab. 4 – Rampes de lavage Rinçage
- Tab. 5 – Pompe lavage
- Tab. 6 – Pompe lavage
- Tab. 7 – Pompe Rinçage

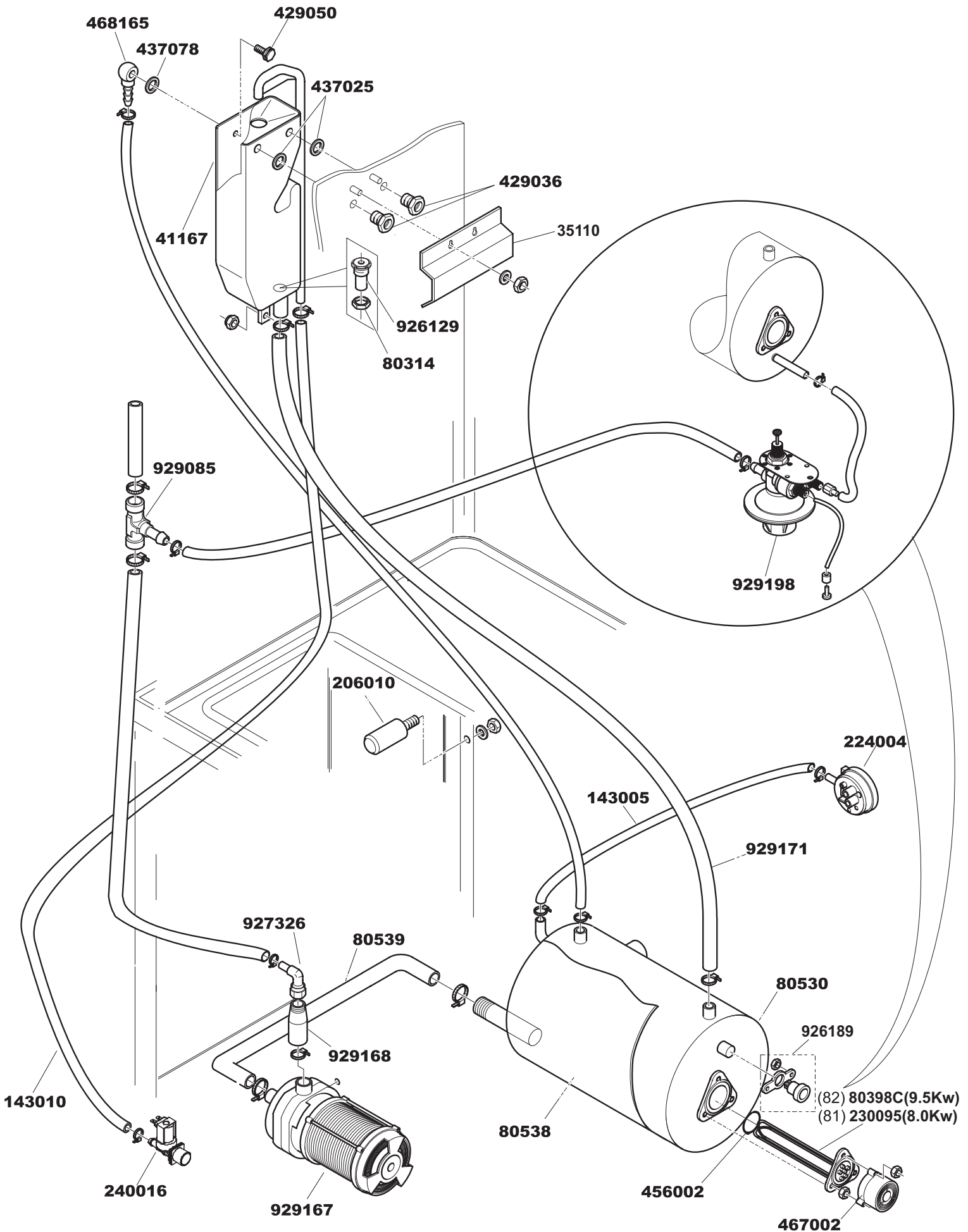


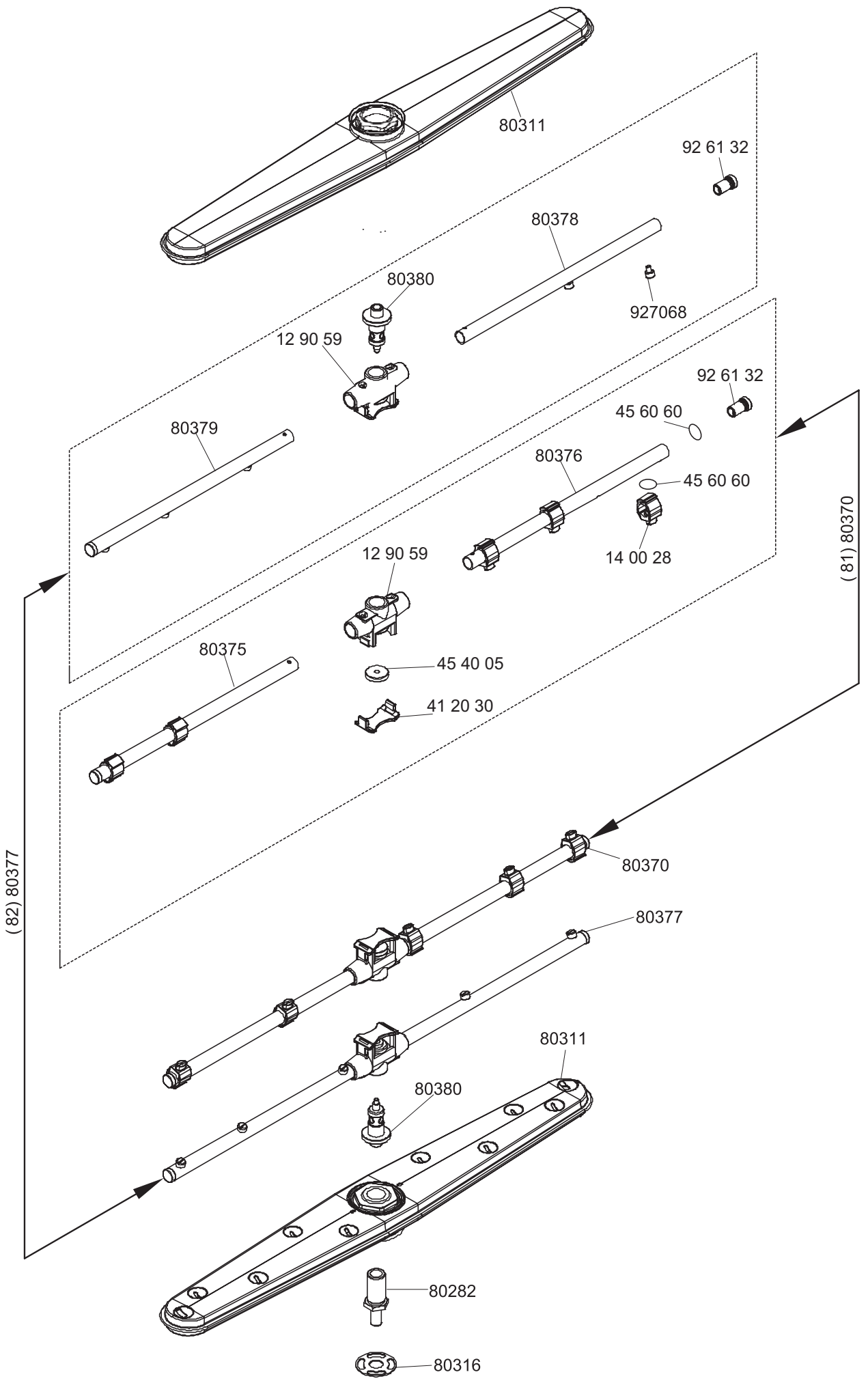
□ (Coibentazione; Insulation)

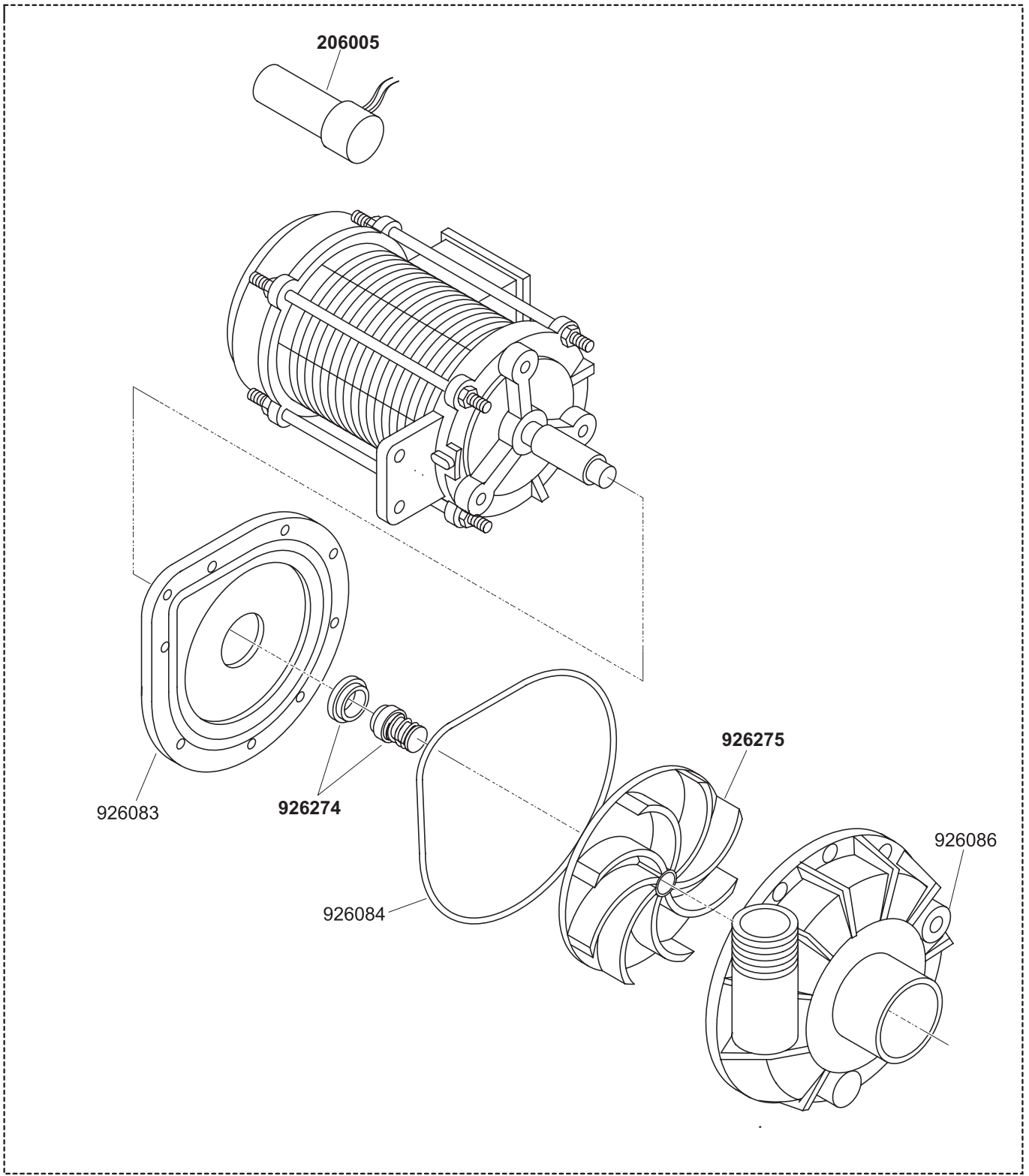




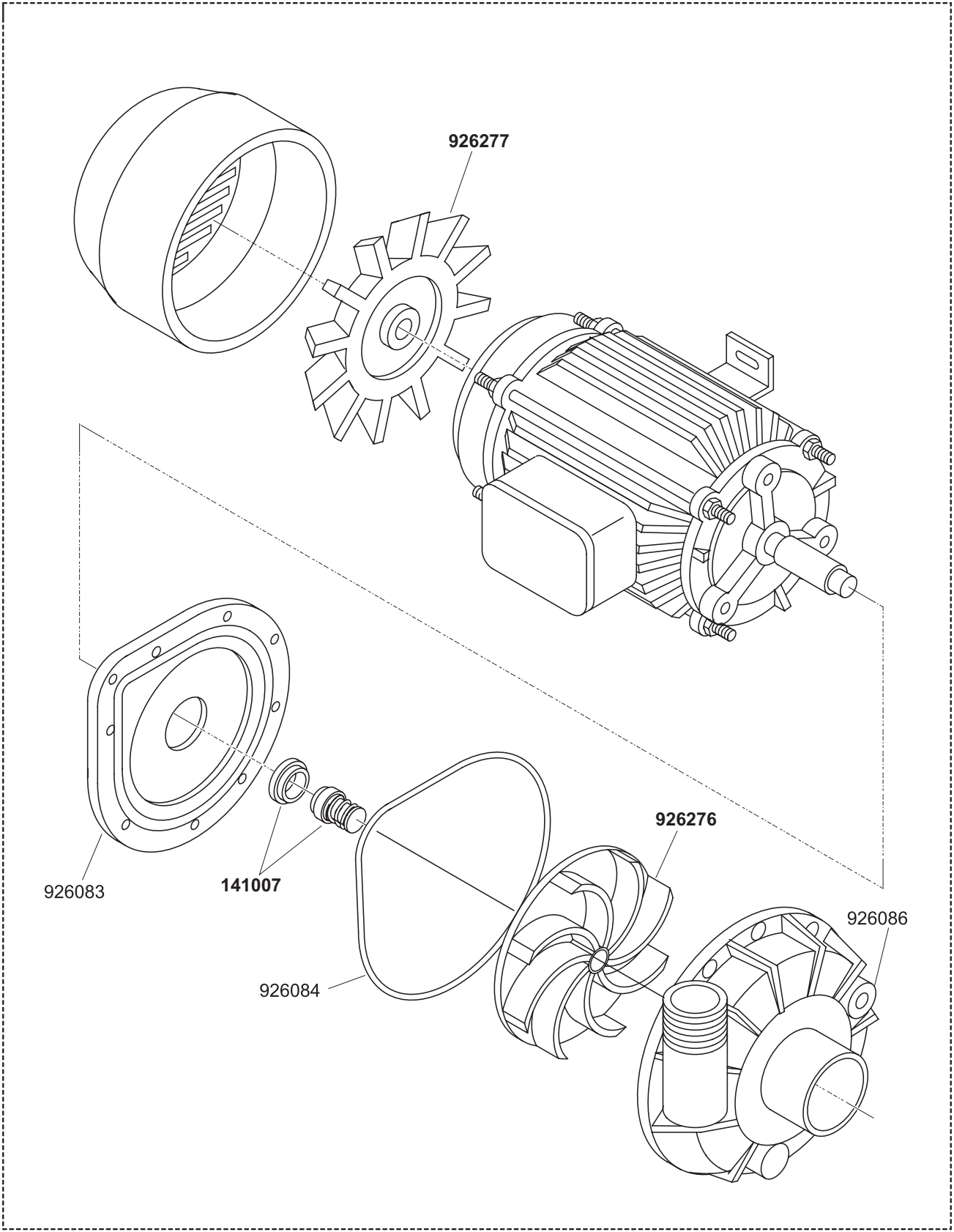
(*) Optional







80114 (ZF522)
RV81



80116 (AM5225)
RV82

